



Installation Manual Double DIN Kit

colour: black

Nissan NV400 2010->

Renault Master III 2010->

Vauxhall Movano 2010-> / Opel Movano 2010->

part-no.:

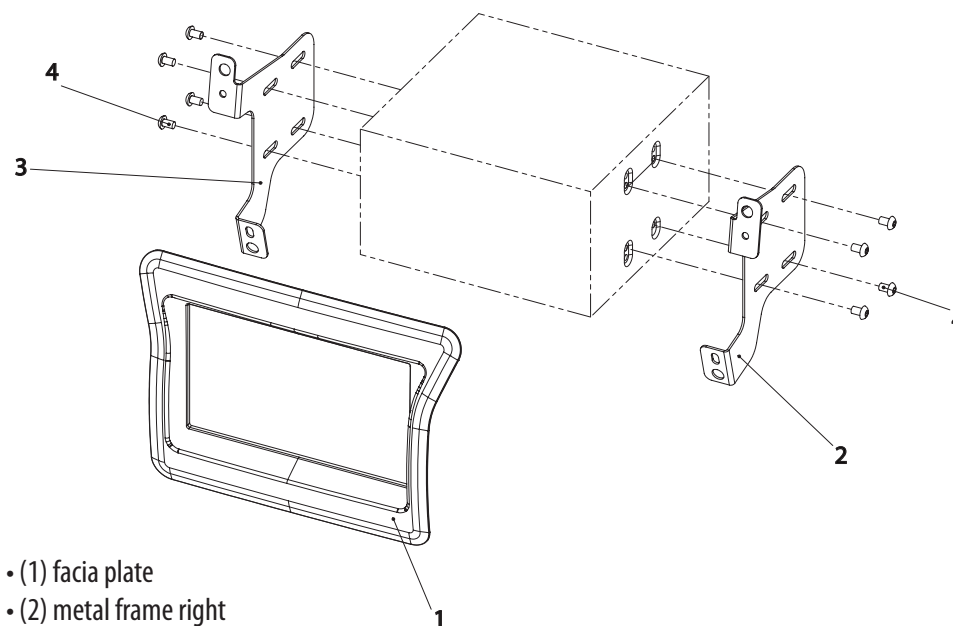
CT23NS26

CT23RT11

CT23VX53

Compatible with these double DIN devices

Double DIN Navigation

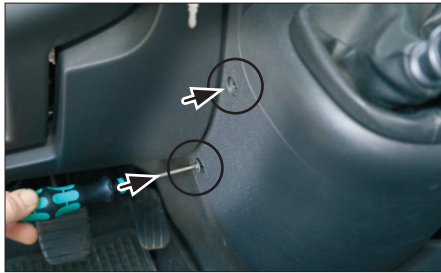


- (1) facia plate
- (2) metal frame right
- (3) metal frame left
- (4) flat headed screw

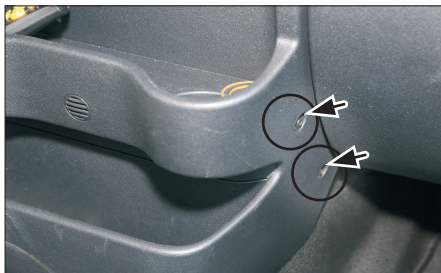


1. Sample dashboard photo with 1-DIN or OEM radio

Remove radio with release keys (unplug all connectors carefully)



2. Remove 2 screws at the left side beside the shift knob



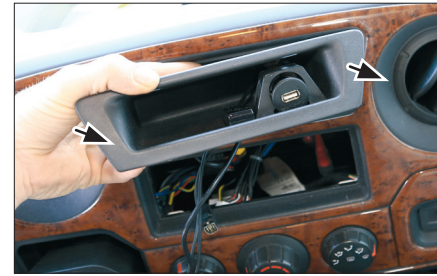
3. Remove 2 screws at the right side beside the cup holder unit



4. Pull panel with shift knob towards your direction. Remove 4 screws (see arrows)

15. Fix new 2-DIN head unit
Connect all required connectors

Plate center console
Re-install everything in reverse
order to finish installation



5. Remove pocket
above radio frame
(unplug all connectors carefully)

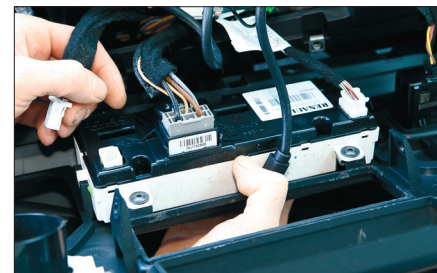
Remove pocket at left side



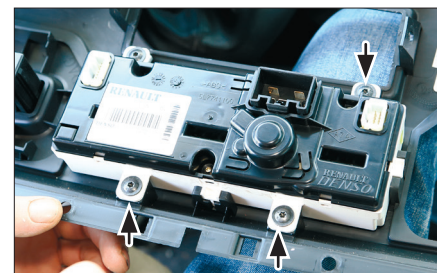
6. Remove screws at the right and
left side behind radio frame



7. Remove complete panel
by pulling it towards your
direction



8. Unplug all all connectors from
the air condition control unit
carefully



9. Remove 4 screws of
air condition control unit
(see arrows)

Remove air condition
control unit



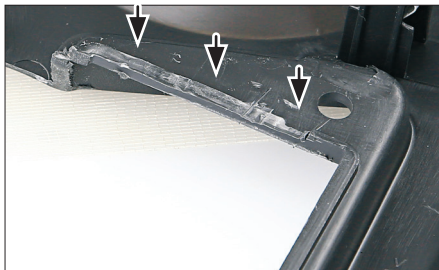
10. Cut center bridge in order to clear space for 2-DIN facia plate



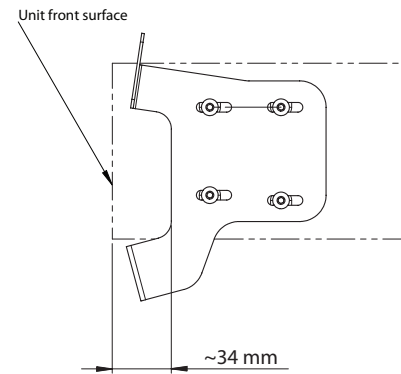
11. This bridge on the rear side of the OEM panel needs to be removed in order to attach the mounting brackets (see arrows)



12. Cut bridge on both sides in order to get a plain surface

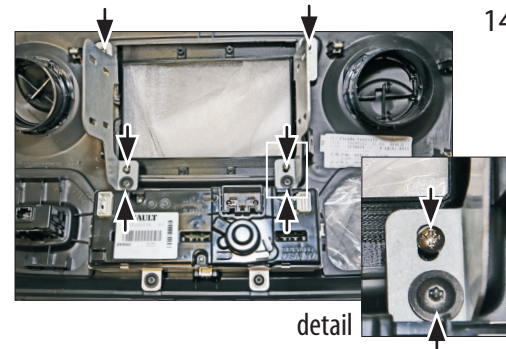
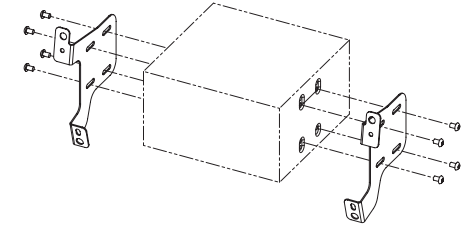


pre-assembly Brackets



2-DIN head unit

13 Attach 2-DIN head unit to brackets*
We recommend a distance about **34 mm** (see graphic)



14. Attach air condition control unit to center cosole. Put metal frames over air condition control unit - attach 2-DIN facia plate

Fix everything with the appropriate screws