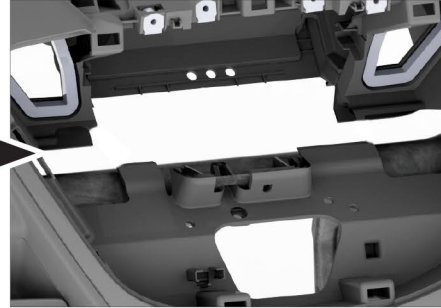
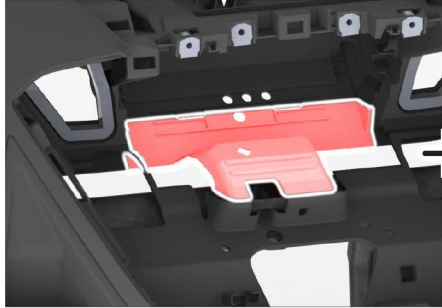
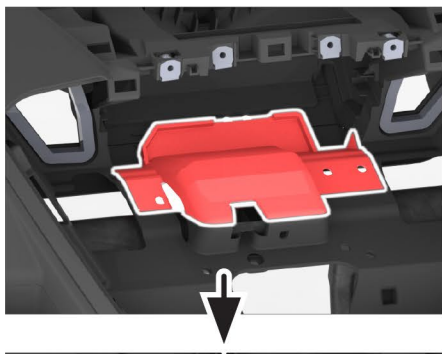


colour:	part-no.:
Phoenix Silver	CT23FD38
Nebula Glossy	CT23FD39
Pegasus	CT23FD40

9. Cut away plastic in order to clear space for double DIN head unit



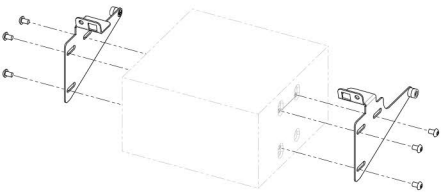
- **Ford Transit Custom (FCC) 11/2012->**
- **Ford Tourneo Custom (FAC) 11/2012->**

Info: „PASSENGER AIRBAG“ display (FORD-No.: 01799698)
and „HAZARD LIGHT SWITCH“ (FORD-No.: 1519127)
depending on the type of OEM headunit are required

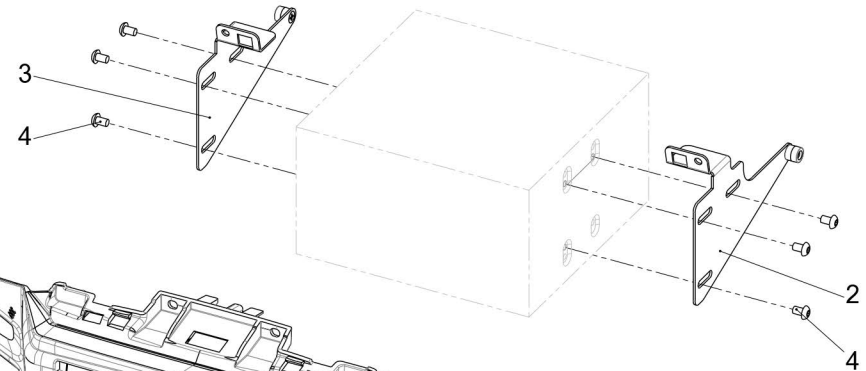
Compatible with these double DIN devices

Double-DIN Navigation

10. Attach metal mounting brackets to double DIN head unit



Connect all required circuit points and fix double DIN head unit on dash board



11. Place fascia plate
Re-install top cover in order to finish installation



Kit Content

- (1) fascia plate
- (2) mounting bracket right
- (3) mounting bracket left
- (4) flat headed screw

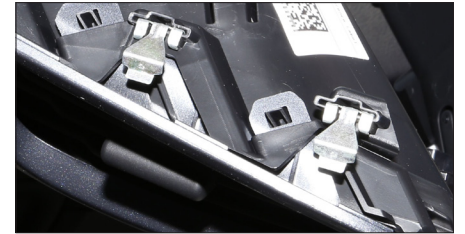
1



1. Ford Transit OEM dashboard



5. Unclip air vents from OEM panel



2. Unclip and remove top cover (see arrows)



6. Mount air vents to new fascia plate



3. Remove 2 torx screws (see arrows)



7. Depending on type of OEM head unit remove „HAZARD LIGHT SWITCH“ and „PASSENGER AIRBAG“ display



4. Remove OEM head unit by pulling it towards your direction



8. Mount „HAZARD LIGHT SWITCH“ and „PASSENGER AIRBAG“ display to new fascia plate