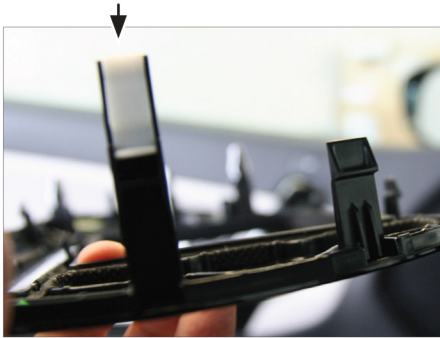


Installation Manual Kia Cee'd



8. Attach clips to fascia plate



9. Connect all required circuit points

Place fascia plate



Installation Manual Double DIN Kit

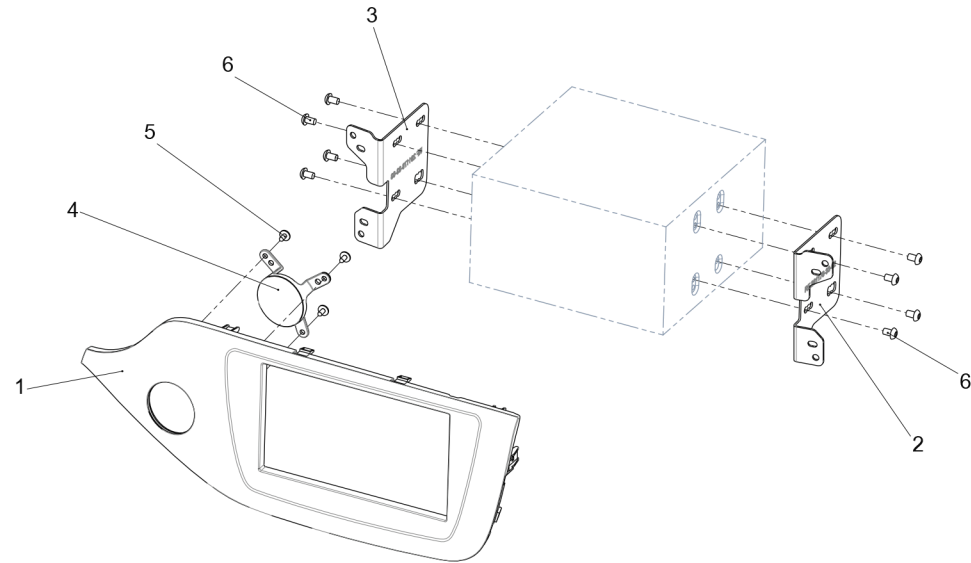
colour
Matte Black
Brown Gloss

part-no.
CT23KI39L
CT23KI40L

• Kia cee'd 04/2012->

Compatible with these double DIN devices

Double DIN Navigation



- (1) fascia plate
- (2) mounting bracket right
- (3) mounting bracket left

- (4) cover (for vehicles with no start/stop)
- (5) self tapping screw with collar
- (6) flat headed screw

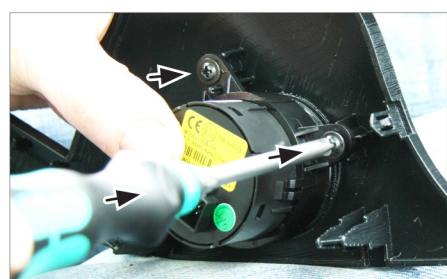
All installation work must be performed by a qualified professional installer only.
The manufacturer / dealer is not liable for any kind of incidental or indirect damages.



1. Unclip and remove OEM-panel surrounding head unit



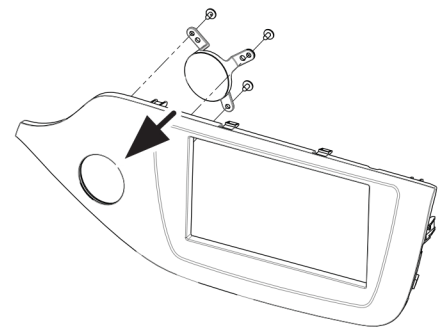
2. Remove screws of OEM head unit
Remove OEM head unit



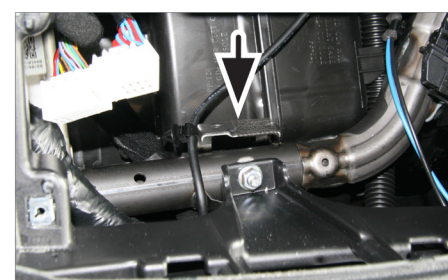
3. In case vehicle is equipped with „Engine Start/Stop“ button:
Remove Engine Start/Stop button from OEM panel



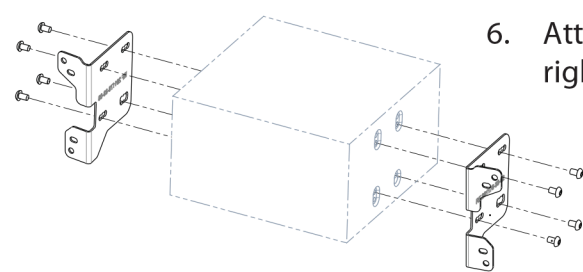
3a. Mount „Engine Start/Stop“ button to new facia plate



4. In case vehicle is NOT equipped with „Engine Start/Stop“ button:
mount blanking plug to new facia plate (see arrow)



5. Bend down metal in order to clear space for double DIN head unit



6. Attach mounting frames left/right to double DIN head unit



7. Place double DIN head unit
Fix it with 4 screws