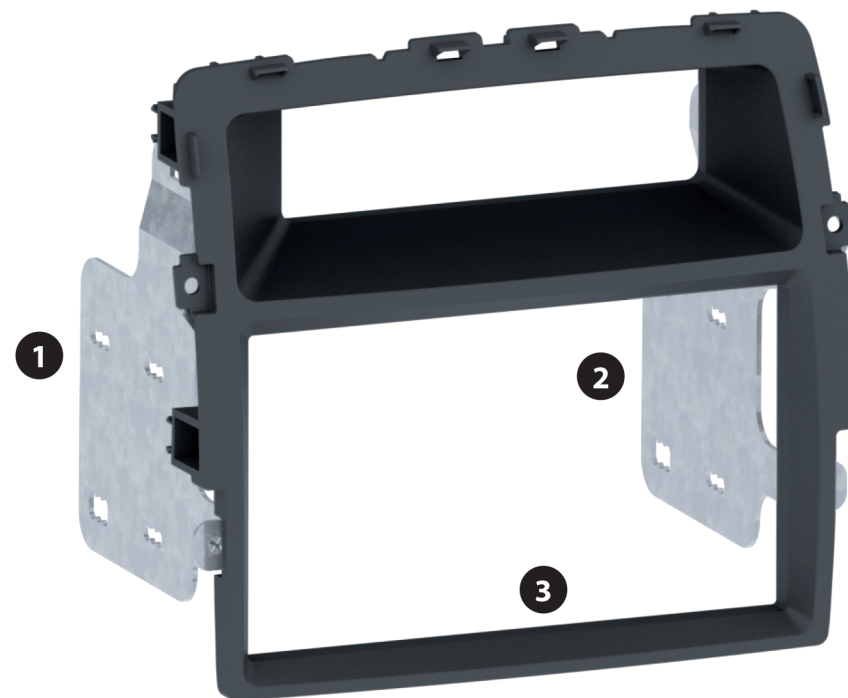




- **Nissan Primastar 2010->**
- **Opel Vivaro 2010->**
- **Renault Trafic 2010->**

Compatible with these double DIN devices

Double-DIN Navigation



- (1) Mounting Frame left
- (2) Mounting Frame right

Facia Plate (3)

Installation Manual Double DIN Kit



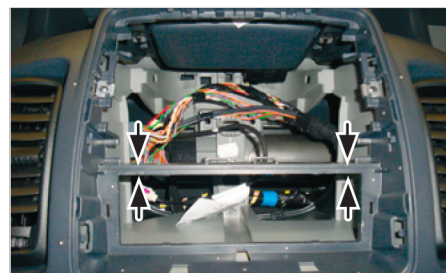
1. Remove frame surrounding head unit (see arrows)



2. Remove Display unit



3. Remove OEM head unit



3. Remove plastic to clear space for double DIN head unit



4. Mount brackets to fascia plate



5. Mount OEM display and double DIN head unit to fascia plate



6. Connect all required circuit points and push double DIN head unit / fascia plate into dashboard until it snaps in.

Reinstall everything in reverse order to finish installation