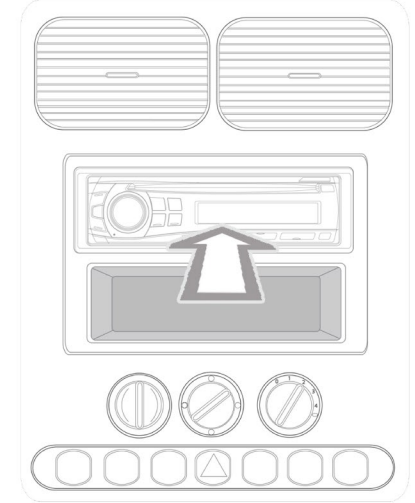
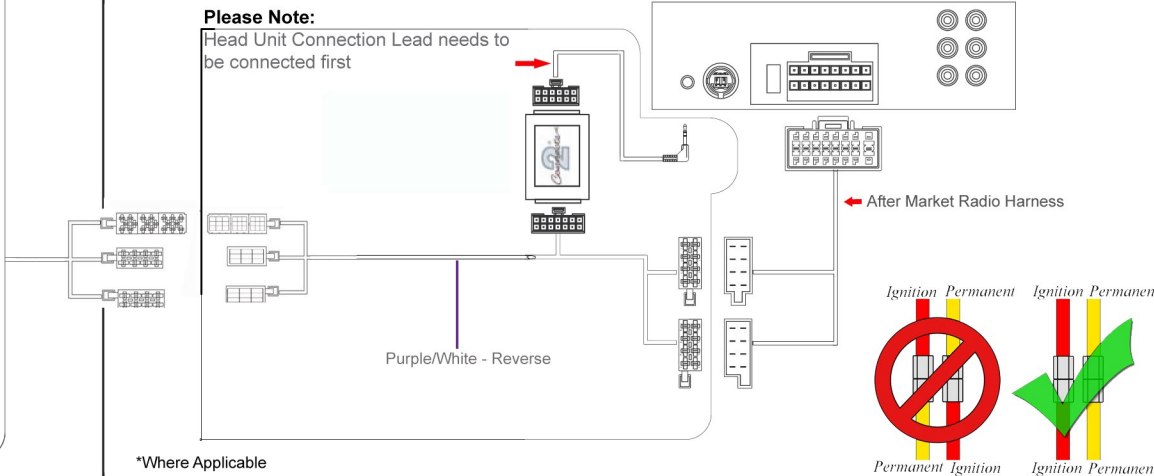
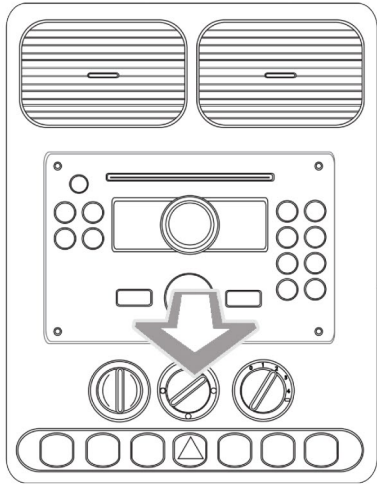


Installation Guide

Part No: **CTSTY004.2**

Toyota Steering Wheel Control Interface



Vehicle Compatibility:

Vehicles with 28 way steering wheel control connector and OEM JBL system.

| | |
|---------|-------|
| Avensis | 2011> |
| Corolla | 2011> |
| Innova | 2011> |
| RAV4 | 2011> |
| Rush | 2011> |
| Verso | 2011> |
| Yaris | 2011> |

Steering Wheel Control Functions



* Note All Dates are guide lines only as specifications of vehicles change