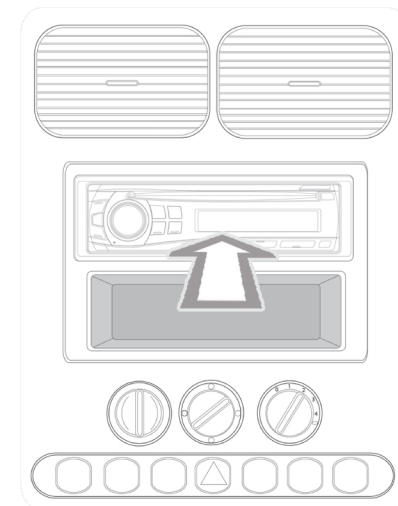
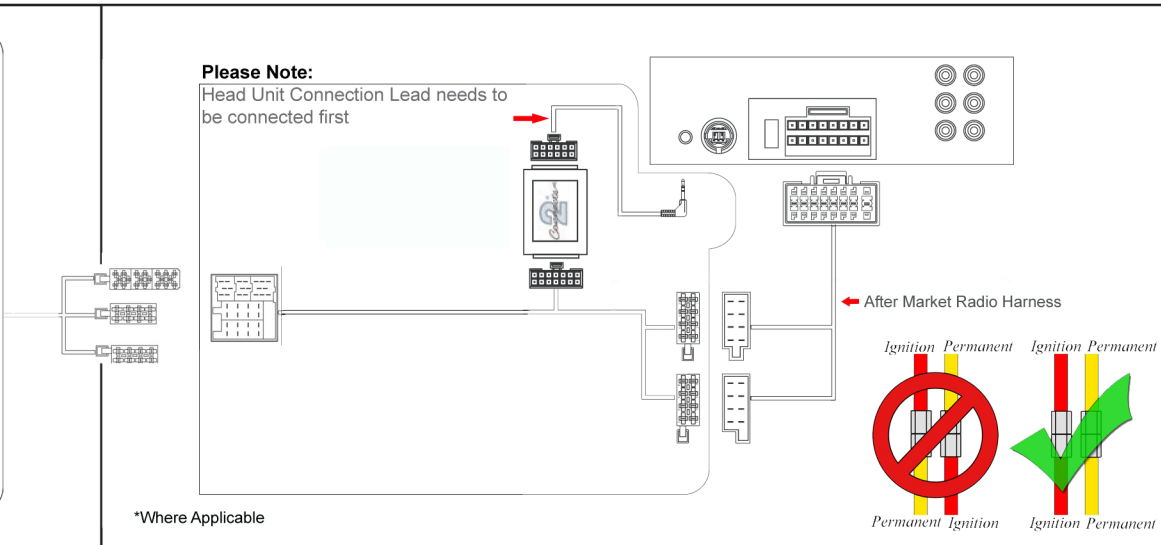
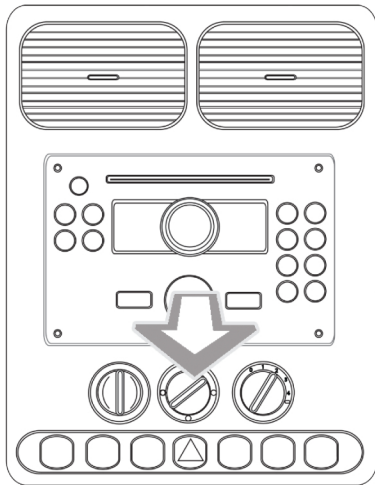


# Installation Guide

Part No: CTSRV006.2 Rover Steering Wheel Control Interface

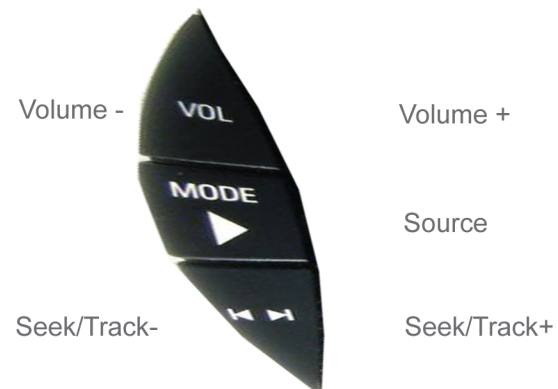


## Vehicle Compatibility:

Rover 25 < 2005  
45 < 2005  
75 < 2005

Blaupunkt/VDO C32 Iovox,  
CR413X

## Steering Wheel Control Functions



\* Note All Dates are guide lines only as specifications of vehicles change