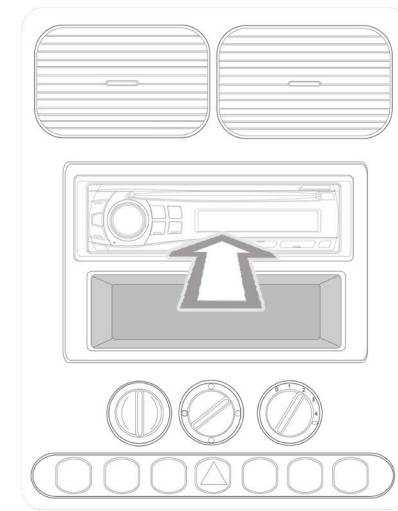
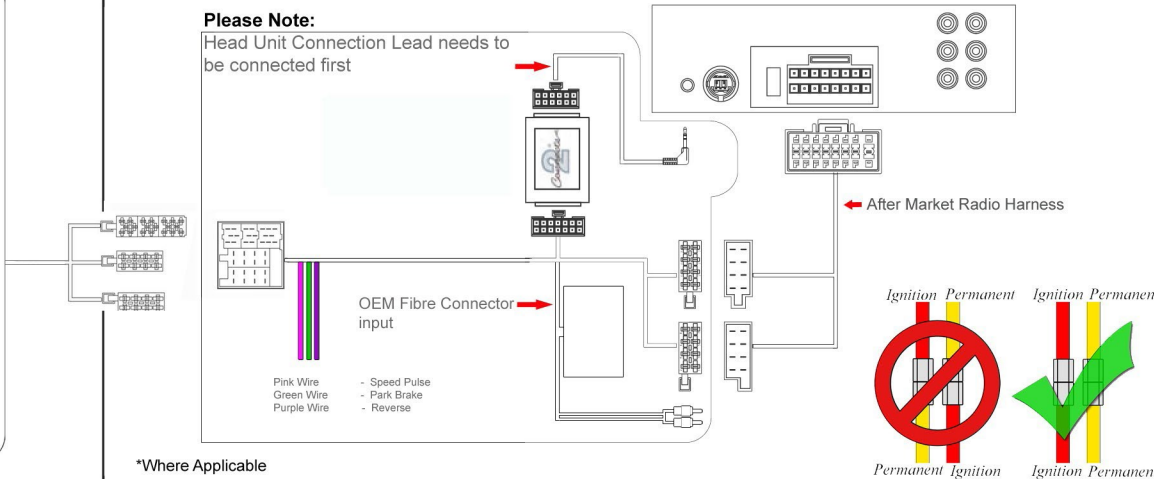
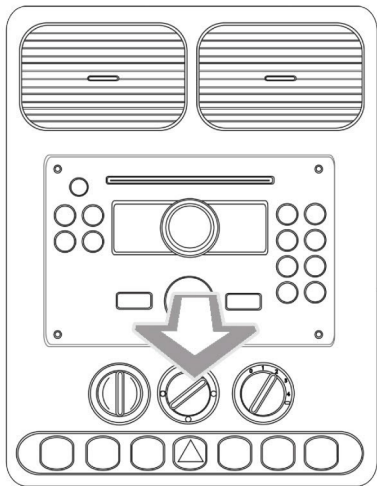


# Installation Guide

Part No: CTSP0005.2 Porsche Can-Bus Steering Wheel Control Interface



## Vehicle Compatibility:

- Porsche 911 2004 - 2008
- Boxter 2004 - 2008
- Cayman 2005 - 2009
- 36 Way ISO Connector
- Fibre Optic Amplifier

## Steering Wheel Control Functions



- 1** Volume Up  
Volume Down  
Mute - Push Button (if available)
- 2** Source
- 3** Pick up



- 1** Track Up  
Track Down  
Band - Push Button (if available)
- 2** No function
- 3** Hang up

**Note for Installing a Sony head unit**  
Disconnect the interface from the vehicle. Open the interface box and ensure dipswitch 4 on the PCB is set to **off**.

\* Note All Dates are guide lines only as specifications of vehicles change