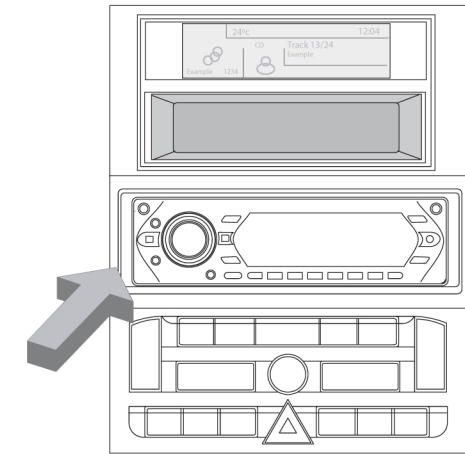
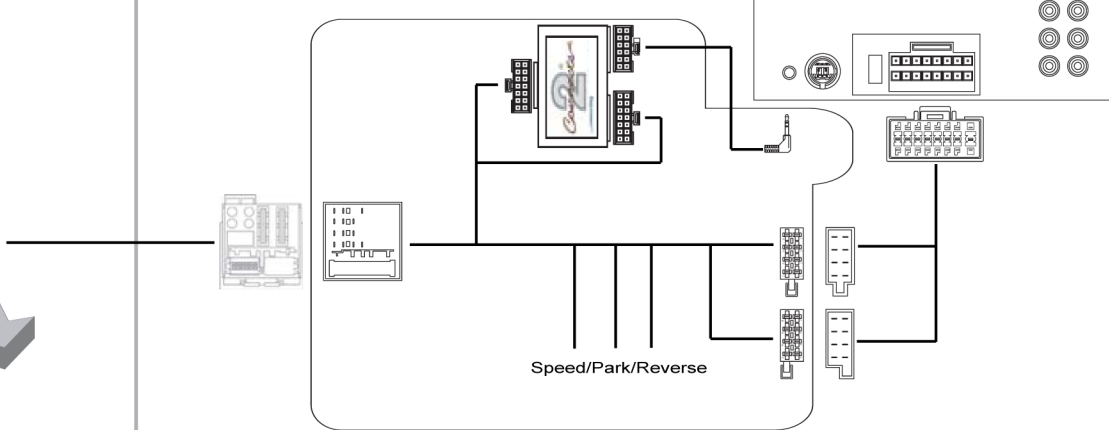
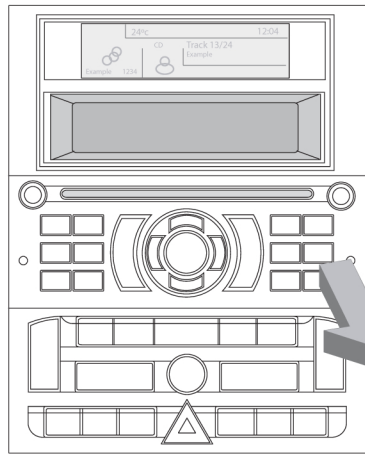


Installation Guide

CTSPG013 - Peugeot CAN-Bus Steering Wheel Control and parking sensor interface



Once reverse is selected the unit will beep once, then beep according to the proximity of the object nearest to the car.

GREEN – Park PURPLE / GREY – Reverse PINK / DARK GREEN – Speed pulse

Board Computer / System Settings

Citroen ← Press 2 seconds

Peugeot ← Press in unison

Menu Scroll →

Menu Scroll ↓

Menu Select →

Menu Select ↓

Menu Exit →

Menu Exit ↓

Press for Trip Computer ←

Peugeot / Citroen Stalk & Display control Interface

New MENU Navigation



New MENU Navigation



If the vehicle you have will not let you change the selected item, do the following:
Firstly enter MENU mode as described on previous page.

Peugeot

1. Once in MENU mode HOLD SOURCE BUTTON for 3 seconds.
2. After 3 seconds the display will return to radio mode to acknowledge you have held the button.
3. Now the roll wheel can be used to increment / decrement the selected item.
4. Once power has been removed from the interface, it will default back to its original settings.

Citroen

1. Once in MENU mode HOLD ATT BUTTON for 3 seconds.
2. After 3 seconds the display will return to radio mode to acknowledge you have held the button.
3. Now the roll wheel can be used to increment / decrement the selected item.
4. Once power has been removed from the interface, it will default back to its original settings.