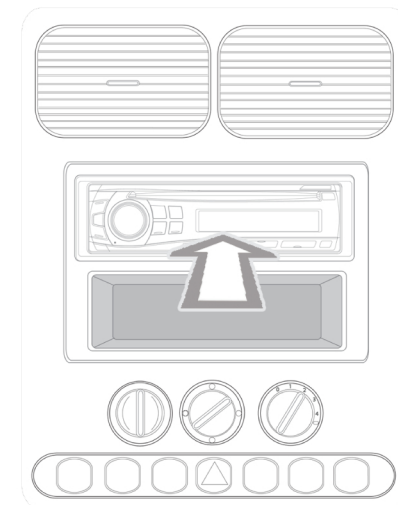
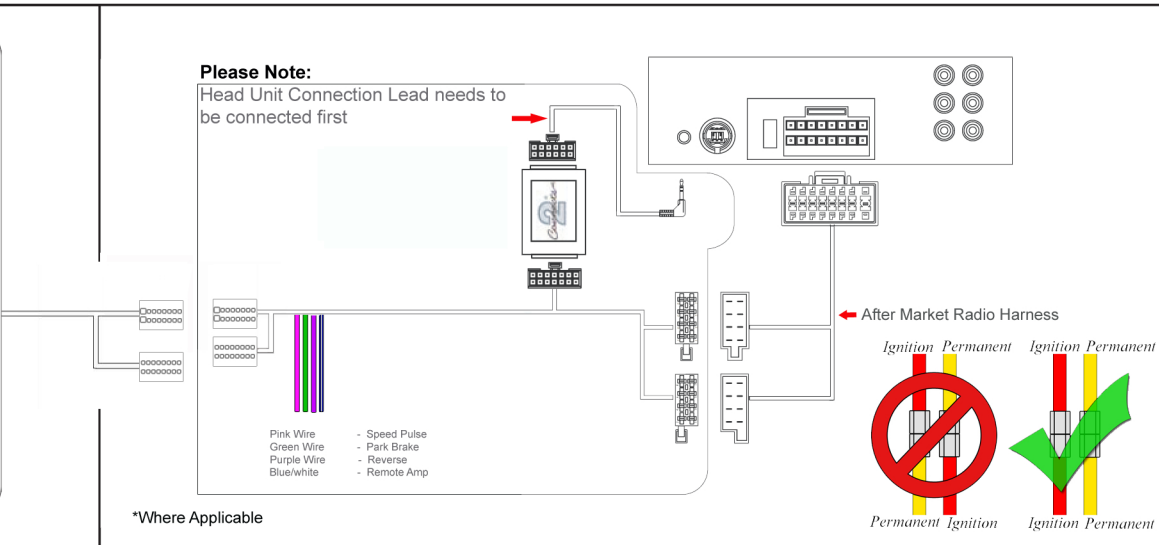
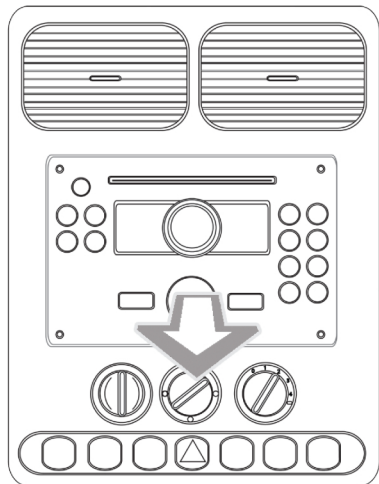


Installation Guide

Part No: CTSMT007.2 Mitsubishi Can-Bus Steering Wheel Control Interface



Vehicle Compatibility:

Mitsubishi

Pajero 2010>

with
Rockford Fosgate
Amplified Systems

Steering Wheel Control Functions



Seek/Track+

Seek/Track-

Source



Volume +

Volume -

* Note All Dates are guide lines only as specifications of vehicles change

Installation Guide

Part No: CTSMT007.2 Mitsubishi Can-Bus Steering Wheel Control Interface

Installation & User Guide

Settings Menu

To Enter press and hold MODE (1) for 5 seconds (it will beep when menu mode is entered)
 To change current value of the settings when in menu use UP (3) & DOWN (2).
 When in settings menu, short press of MODE (1) will change to the next item in the menu and a long press of MODE (1) will exit settings menu (three low pitched beeps on exiting menu).
 If no buttons are pressed for 10 seconds, the menu will exit automatically and 3 low pitched beeps will be heard.

Installer settings menu

The installer menu adds two extra items to the settings menu (Amp Gain & Steering wheel type).
 To enter installer menu, press MODE (1) and UP (3) for 5 seconds until the first beep is heard, then release the MODE (1) button while keeping the UP (3) button pressed for a further 5 seconds.
 Five low pitched beeps are emitted when the installer menu is enabled, then you can release UP (3).

Example of changing the steering wheel control type from new to old

hold MODE (1) and UP (3) for 5 seconds

1 high Beep -> Subwoofer Volume

release MODE (1) while holding UP (3) for 5 seconds

5 low pitched beeps - Installer menu enabled, but still in subwoofer volume

quick press of MODE (1)

2 high beeps -> Soundfield

quick press of MODE (1)

3 high beeps -> Fader

quick press of MODE (1)

4 high beeps -> Main volume

quick press of MODE (1)

5 high beeps -> Steering wheel control type

quick press of DOWN (2)

1 low beep for old steering wheel control type

hold MODE (1) for 5 seconds

3 low beeps -> exit menu to normal mode

Example of changing the fader in settings menu

hold MODE (1) for 5 seconds

1 high Beep -> Subwoofer Volume

quick press of MODE (1)

2 high beeps -> Soundfield

quick press of MODE (1)

3 high beeps -> Fader

UP (3) / DOWN (2) to change fader setting

hold MODE (1) for 5 seconds

3 low beeps -> exit menu to normal mode



Here is a list of the Setting/Installer menu items and the corresponding number of beeps:

- 1 High pitched beep - Subwoofer volume (0->5)
- 2 High pitched beeps - Sound field (Flat, Studio, Club, Concert, DolbyProLogicII) A medium pitched beep is emitted when Flat is selected
- 3 High pitched beeps - Fader (Front11 -> Center -> Rear11)
A medium pitched beep is emitted when fader is in center.
- 4 High pitched beeps - Main volume setting (amp gain) - a medium pitched beep is emitted when the volume is changed by the installer to the default value
- 5 High pitched beeps - Steering wheel type. UP (3) selects new type steering wheel buttons (medium pitched beep), DOWN (2) selects old steering wheel type buttons (low pitched beep)