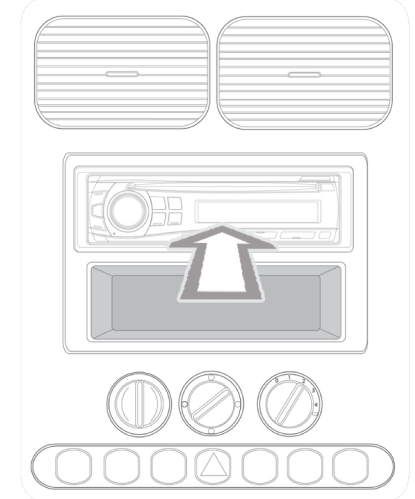
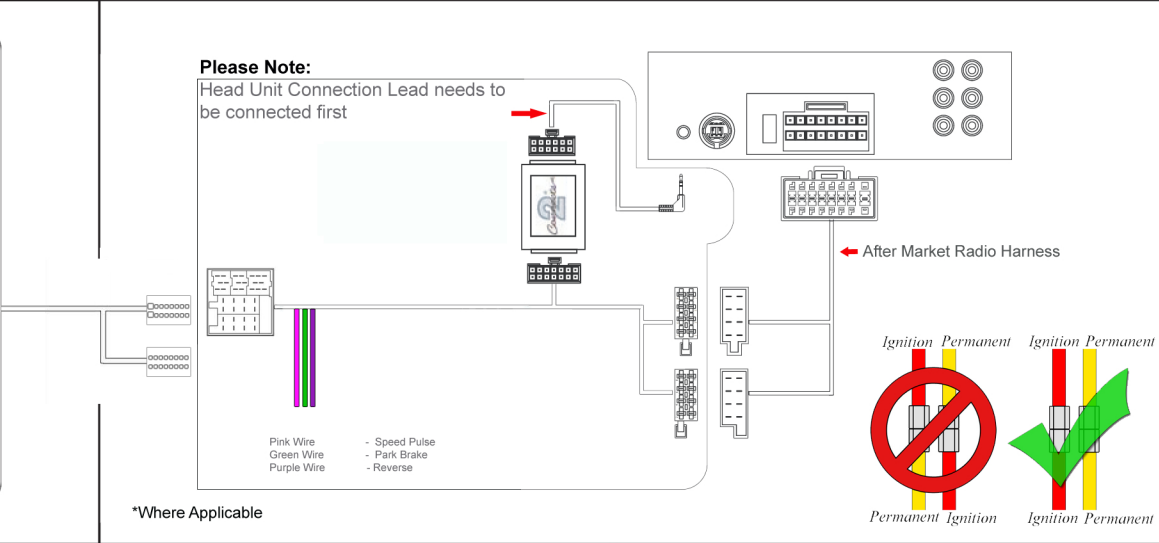
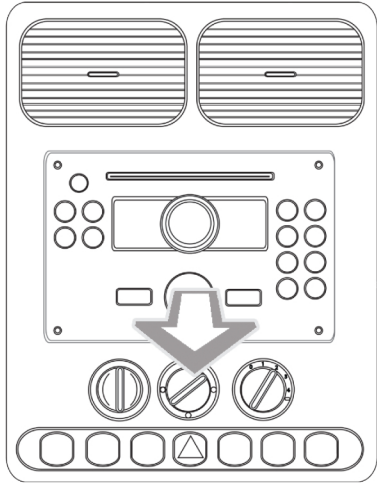


Installation Guide

Part No: CTSMC002.2 Mercedes Can-Bus Steering Wheel Control Interface



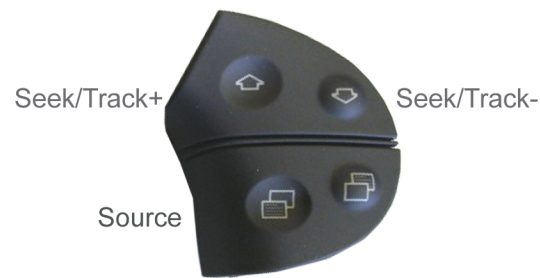
Vehicle Compatibility:

Vehicles fitted with Audio 20 original head units.

ISO Connector.

- A Class (W169) 2000 - 2010
- B Class (W245) 2000 - 2010
- C Class (W203) 2005 - 2007
- VW Crafter 06>

Steering Wheel Control Functions



* Note All Dates are guide lines only as specifications of vehicles change