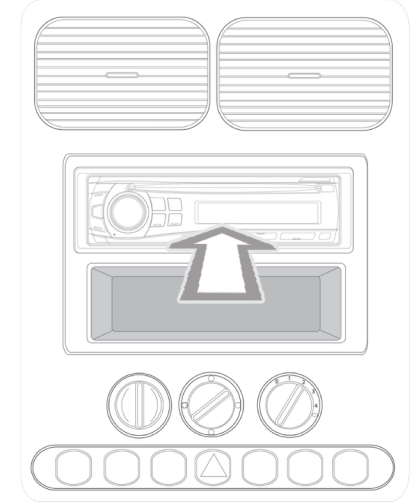
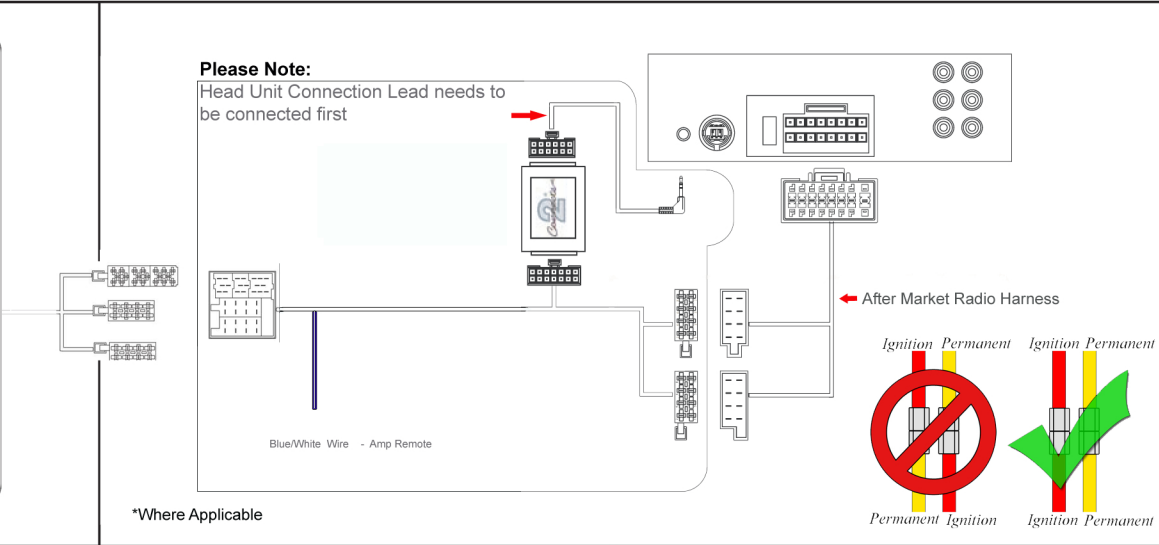
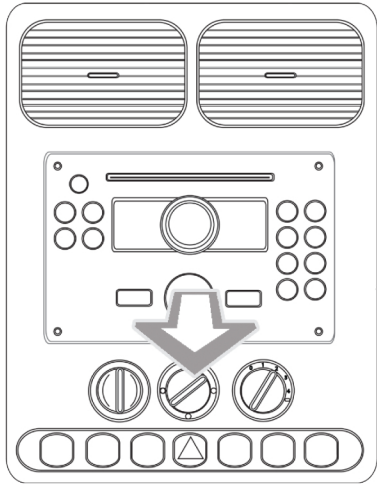


Installation Guide

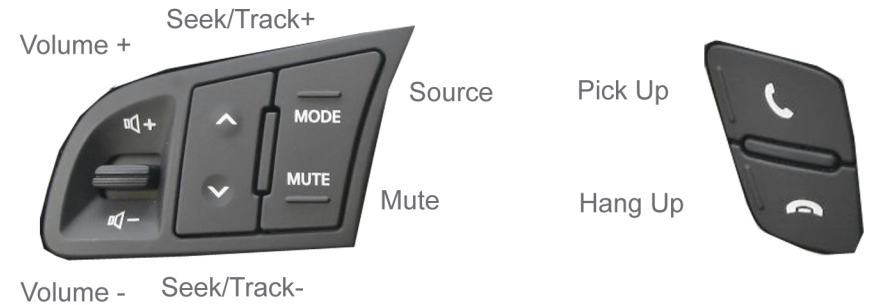
Part No: CTSKI006.2 Kia Steering Wheel Control Interface



Vehicle Compatibility:

Kia Soul 2012 <
Amplified

Steering Wheel Control Functions



* Note All Dates are guide lines only as specifications of vehicles change