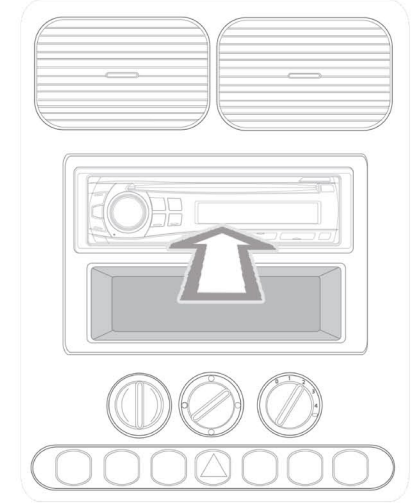
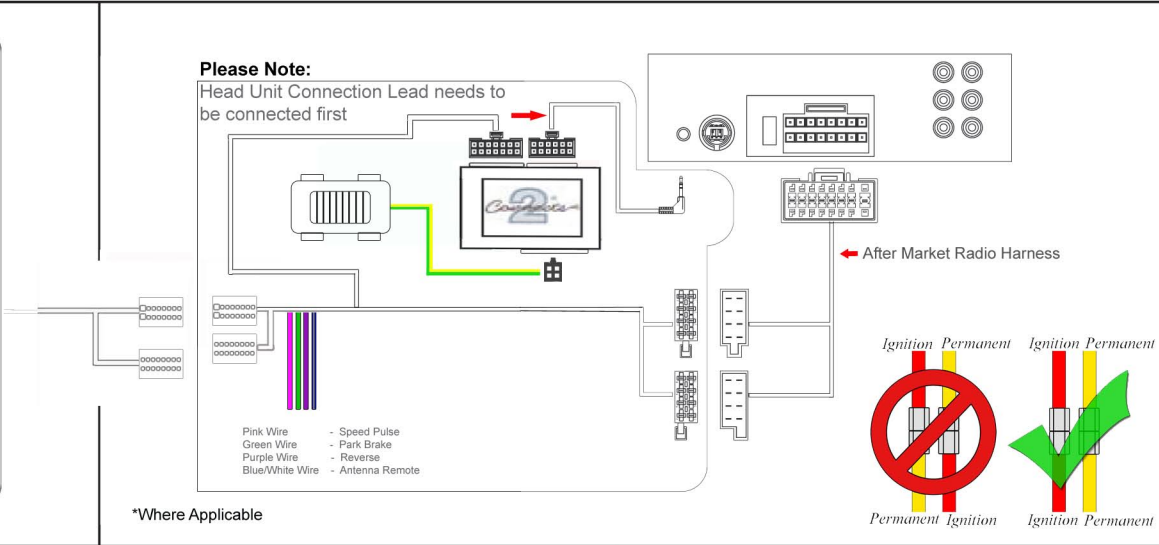
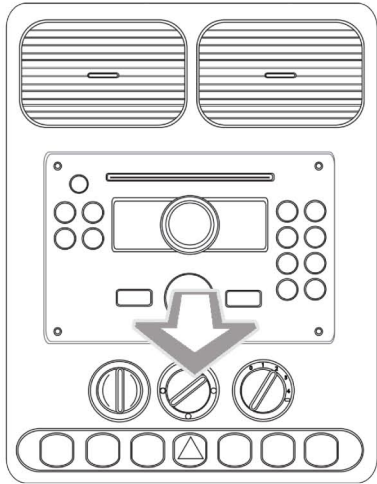


Installation Guide

Part No: CTSCV004.2 Chevrolet Steering Wheel Control Interface

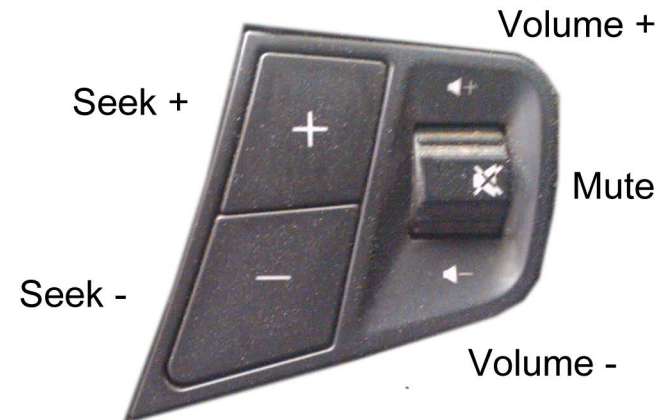


Vehicle Compatibility:

Vehicles fitted with Fujitsu Ten original head unit

Captiva South America

Steering Wheel Control Functions



* Note All Dates are guide lines only as specifications of vehicles change