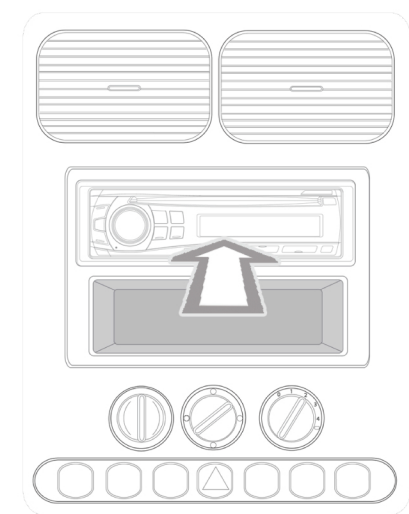
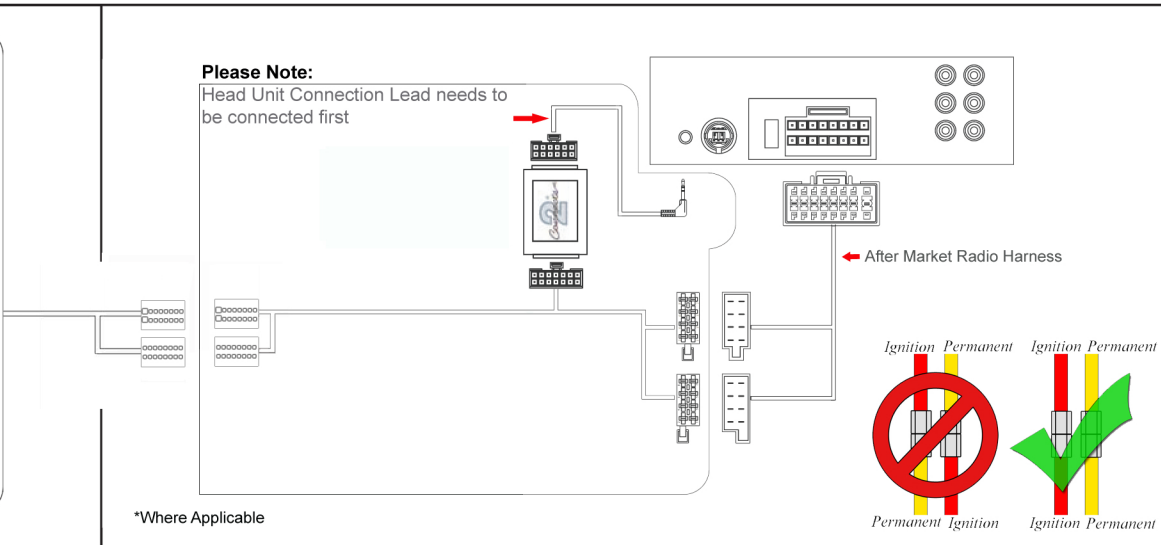
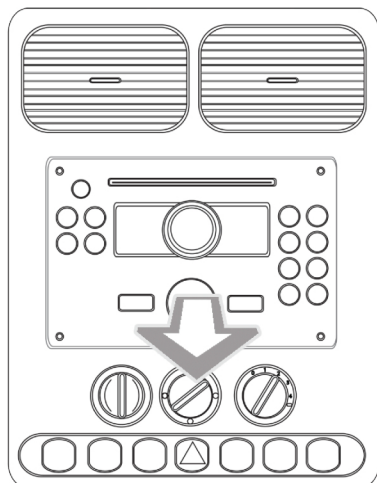


Installation Guide

Part No: CTSCCT002

Citroen Steering Wheel Control Interface



Vehicle Compatibility:

Xsara	2001-2004
Picasso	2002-2005
C2	2003-2005
C3	2002-2005
C5	2001-2004
C8	2003-2005

VDO/Clarion RD3, RC200, 220, 260, 280, 290
PU2294, 1633

Steering Wheel Control Functions



* Note All Dates are guide lines only as specifications of vehicles change